



DUAL CORE Brace

Seismic support material suitable for use
in both high-rise and low-rise construction

FUJITA

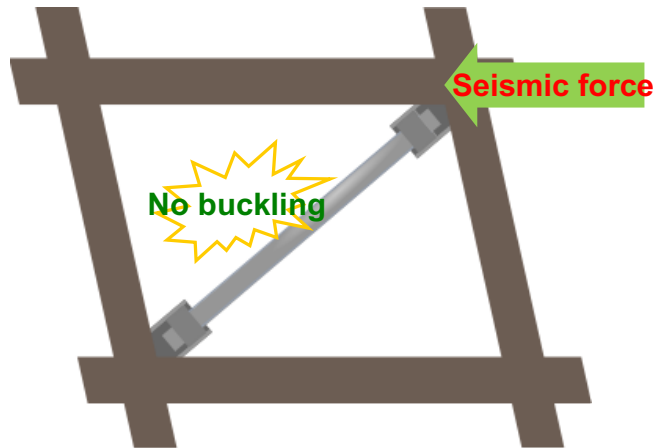
Daiwa House Group®

Outline

The “Dual Core Brace” is a buckling-restrained steel plate with square steel pipes. It is applicable not only for large distribution warehouse but also for high-rise, mid-rise and low-rise buildings.

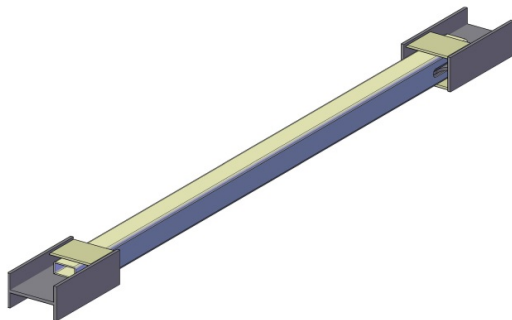
The “DUAL CORE Brace” is designed in a way so it will not buckle under compression. It can reduce the number of braces and quantity of structural steel. In addition, it will not give damages to ambient members because it will not buckle.

The Dual Core Brace is an advanced version of the steel buckling restrained brace developed in February of 2014. Now it can be used in wider range of applications as a seismic support material. We added high-strength steel on seismic part, and the improved structural members and joint shapes resulted in more flexibility in component design and advanced construction characteristics of the joint.

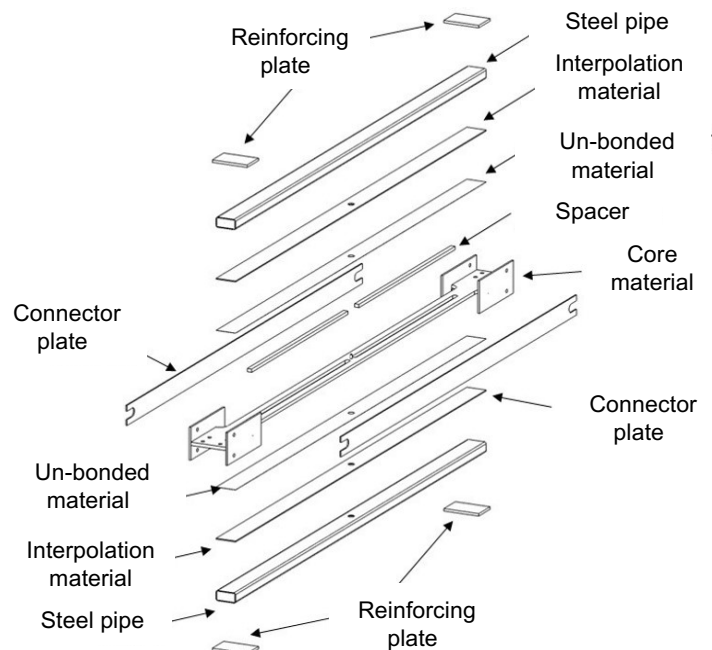


Characteristics

- The central part is sandwiched with a restraint member (square steel pipe) and un-bonded member (friction reducing material).
- A slit is installed in the central part to adjust bearing force.
- The brace is composed of only steel, and filling mortar is not necessary.
- The weight of the developed brace is lighter than the weight of previously developed brace.



Completion drawing



Structural diagram